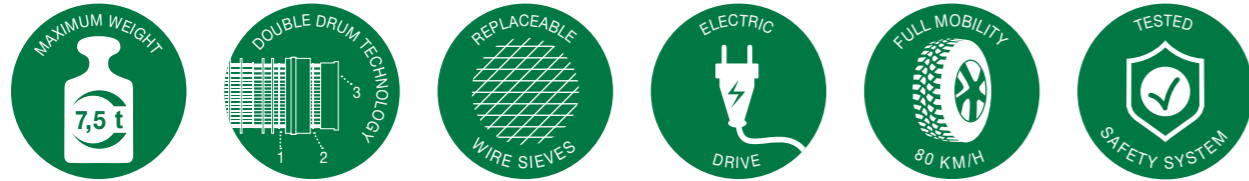


MULTI SCREEN® MS3200

OUR COMPACT SOLUTION



**HAS SOME NICE TRICKS
UP ITS SLEEVE!**



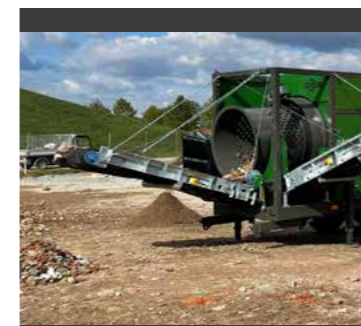
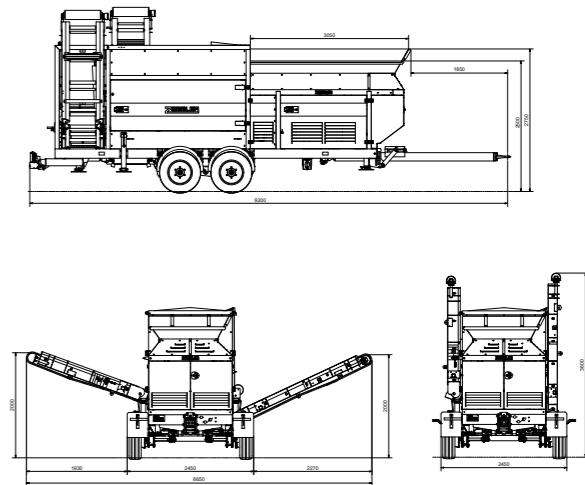
**up to 60 m³/h
screening capacity**

Optional diesel power generator (Stage V) is easily accommodated in the machine.

The ZEMMLER® MULTI SCREEN® MS 3200 is a compact machine for civil engineering, municipalities and landscaping. The design is similar to the MS 1600, but the screening drum is significantly longer. With a loading height of just under 2500 mm and a feed width of 3000 mm, loading with

the excavators and wheel loaders commonly used in landscaping is possible without any problems. With the help of a slip-on ring, the MS 3200 can be converted from two to three fractions in just a few minutes. On request, the plant can be equipped with an additional belt for the coarse fraction.

Drum length	3,000/3,900 mm
Drum diameter	1,300 mm
Mesh size	2 to 80 mm
Total screening area	approx. 18 m ²
Weight	max. 7,500 kg
Drive	electric (32 A), Optional power generator
Towing device	towing eye Ø 40/50 mm
Transport dimensions (LxBxH)	9,200x2,450x3,600 mm (Standard)



Coarse fraction belt



Funnel attachment



Hook lift