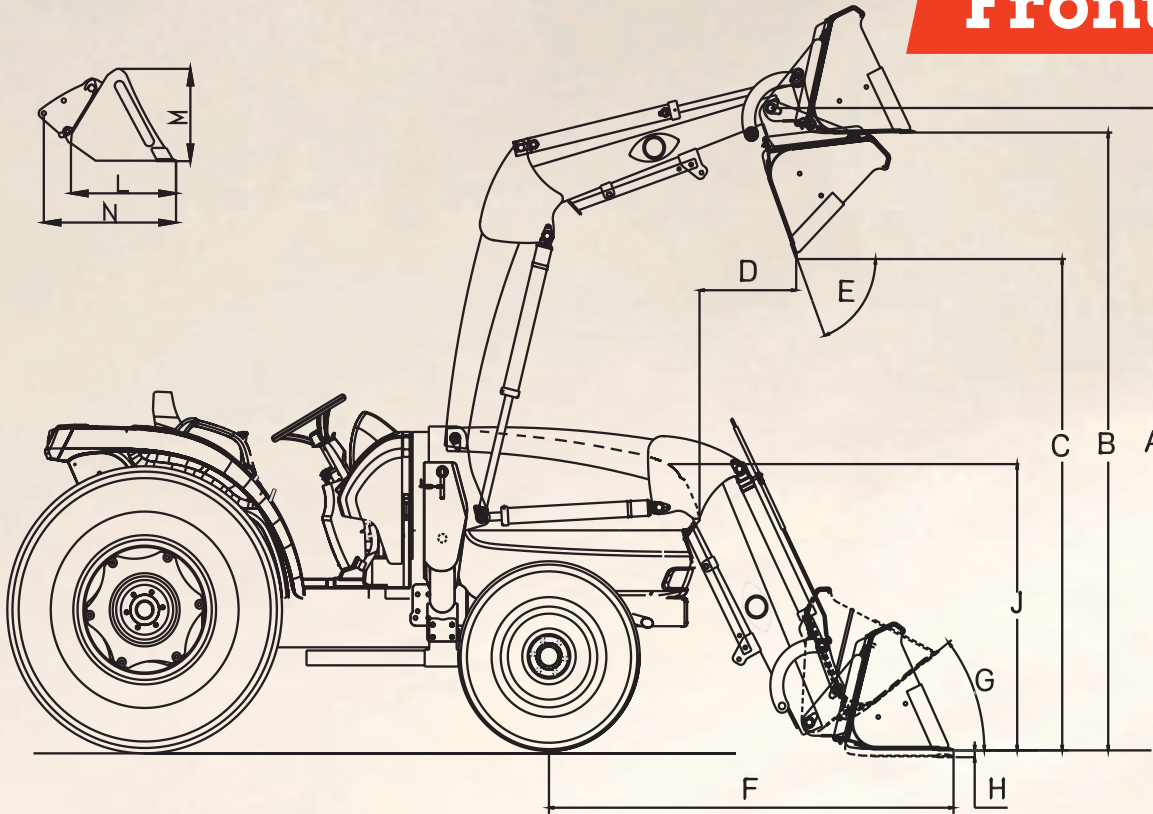


# Front Loader



Model		KL115A	KL115	KL115C	KL2510	KL4010	KL5510	KL7320	KL1103
Suitable for		CS2220U	CS2510H	CS2520H	CX-Series	CK-Series	DK-Serie	RX-Series	PX-Series
Lifting force at tool pivot point (@ max. lifting height)	kg	527	527	527	495	766	1,207	1,535	1,941
Breakout force at tool pivot point	kg	875	875	875	835	1,162	1,769	2,431	2,775
Bucket breakout force (when tilting)	kg	288	288	288	863	1,363	2,227	2,155	3,432
Maximum lifting height at tool pivot point (A)	A mm	1,842	1,793	1,788	2,230	2,500	2,768	3,400	3,670
Loading height	B mm	1,682	1,632	1,628	2,141	2,234	2,449	3,123	3,307
Dump height	C mm	1,386	1,336	1,332	1,706	1,839	2,075	2,599	2,703
Dumping width	D mm	572	572	538	800	321	460	519	522
Tipping angle - upwards	E deg	73.8	73.8	74	53	55.5	58	47	60.3
Shovel Edge Reach (Bottom)	F mm	1,331	1,369	1,371	1,520	1,660	1,800	2,043	2,413
Tilt angle (down)	G deg	35	35	35	35	41.5	38.9	54	49.5
Digging depth	H mm	64	114	117	99	124	231	166	271
Overall height in transport position	J mm	1,157	1,065	1,104	1,016	1,345	1,465	1,760	2,048
Depth of bucket (inside)	L mm	374	374	374	505	485	470	592	720
Shovel Height (Vertical)	M mm	452	452	452	526	501	560	581	641
Depth of bucket (external)	N mm	485	485	485	682	665	660	838	907
Blade width	mm	1,220	1,220	1,220	1,270	1,524	1,676 / 1,830	2,083	2,210
Shovel capacity	m <sup>3</sup>	0.17	0.17	0.17	0.19	0.19	0.41 or 0.45	0.60	0.78
Total weight with shovel	kg	209	210	209	274	412	651	860	1,020
Mechanical parallel guidance		Std.	Std.	Std.	-	Std.	Std.	Std.	Std.
Attachment plate		KIOTI (Opt.)	KIOTI (Opt.)	KIOTI (Opt.)	SKID (Std.)	EURO (Std.)	EURO (Std.)	EURO (Std.)	EURO (Std.)
Switching valve for hyd. attachments		Opt.	Opt.	Opt.	Opt.	Opt.	Opt.	Opt.	Opt.



## QUICK CHANGE

For a quick change of attachments, the KL loaders have incorporate a quick-change locking mechanism.



## FRONT BUCKET

The KIOTI attachments are built for tough use, providing reliable support every day.



## ATTACHMENTS

A variety of high-quality attachments are available on request.